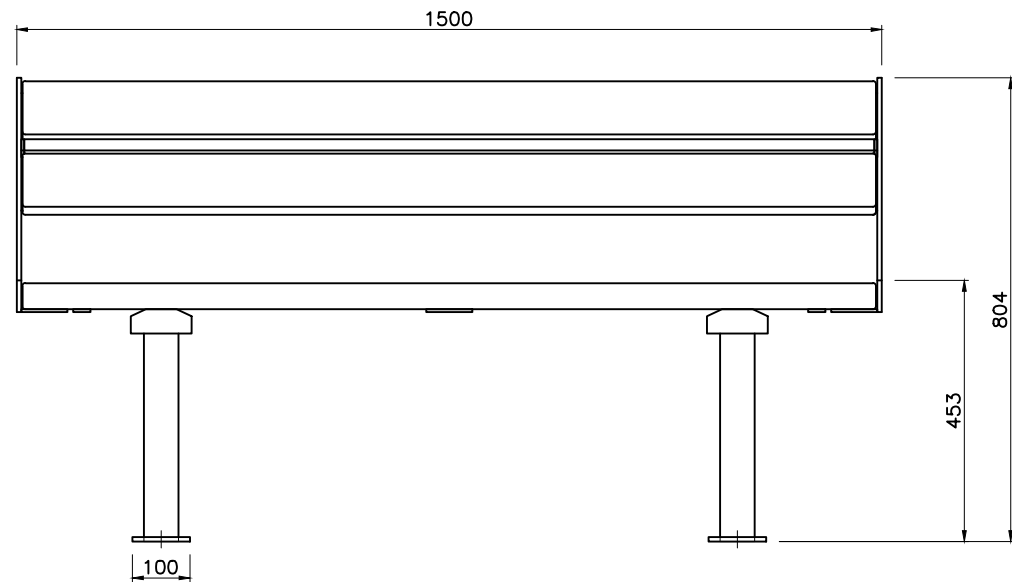
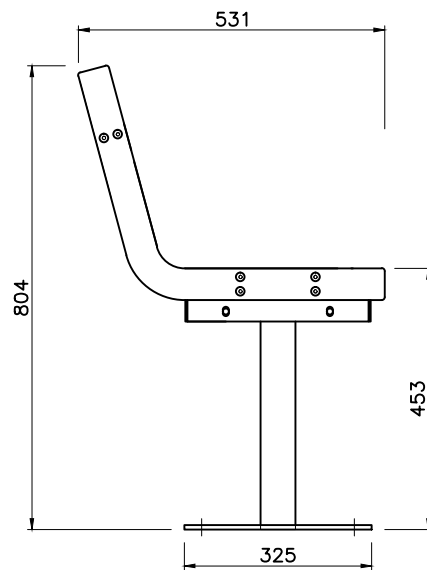
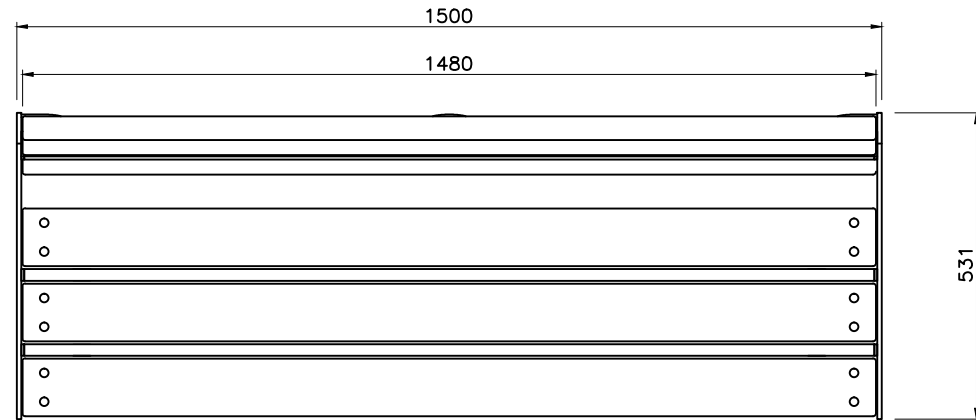


# INSTALLATION INSTRUCTIONS

## BENCH GRETA WITH BACKREST AND ARMRESTS



INSTALLATION INSTRUCTIONS  
BENCH GRETA WITH BACKREST

CLIENT

SCALE

MAT. FIN.

**HELIOS**

PAGE

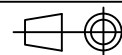
1/5

N° O.C.

DATE

SIGN

ALESSANDRO GIROLAMETTO

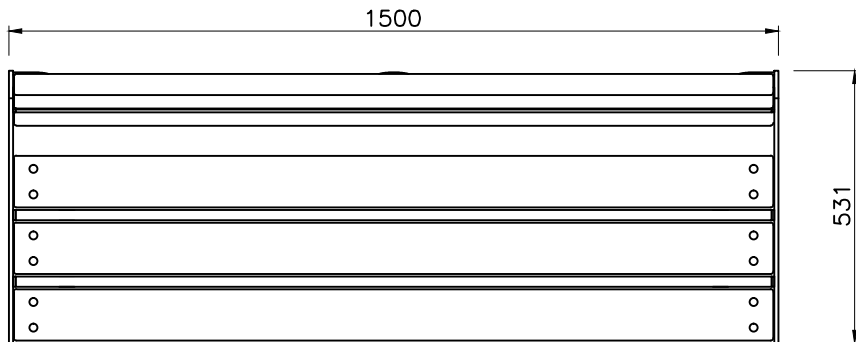


	TYPE	CODE
1		
2		
3		

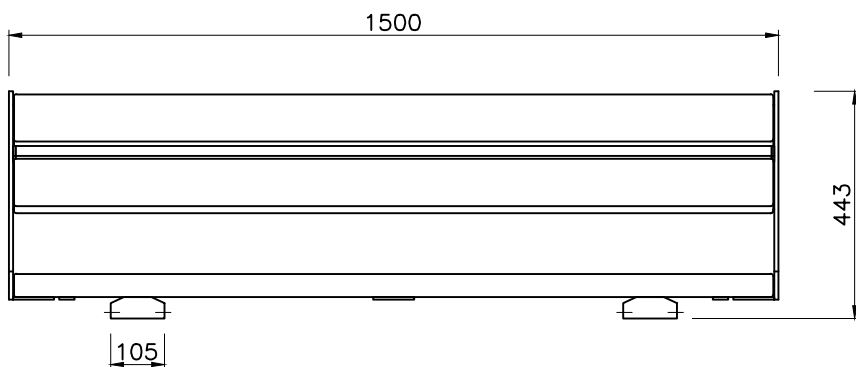
# GRETA BENCH COMPONENTS

SEATING WITH BACKREST AND ARMRESTS  
COMPLETELY ASSEMBLED - N° 1 PC

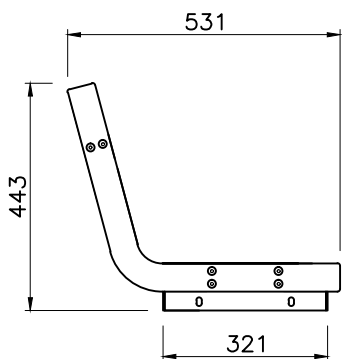
TOP VIEW



FRONT VIEW

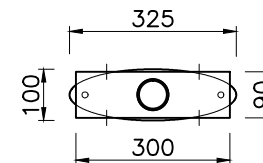


LATERAL VIEW

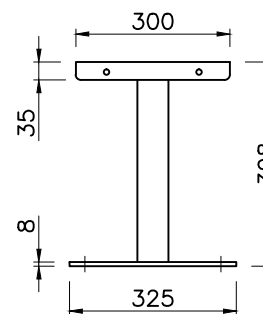


BENCH SUPPORTS - N° 2 PCS

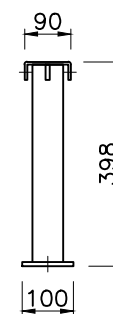
TOP VIEW



LATERAL VIEW



FRONT VIEW



INSTALLATION INSTRUCTIONS  
BENCH GRETA WITH BACKREST

CLIENT

SCALE

MAT. FIN.

**HELIOS**

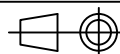
PAGE  
2/5

N° O.C.

DATE

SIGN

ALESSANDRO GIROLAMETTO



TYPE CODE

1

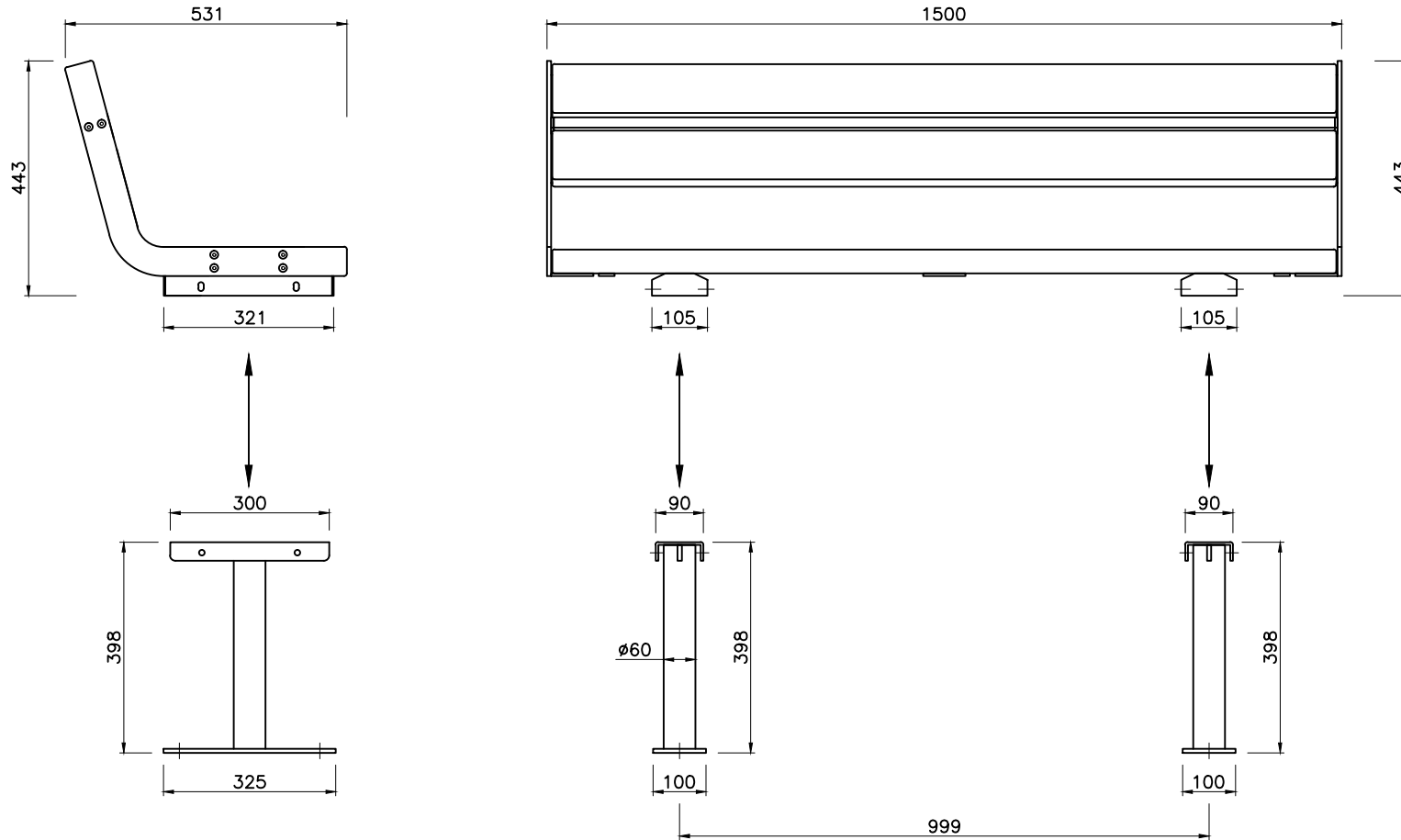
2

3

THIS DRAWING CAN'T BE USED OR REPRODUCED WITHOUT OUR AUTHORISATION

(S) SPECIFIC MEASURE (I) IMPORTANT MEASURE

1 - PLACE AND FIX THE BENCH SUPPORTS TO THE SEAT WITH SCREWS TBEI M8 x25 STAINLESS STEEL, WASHERS M8 S.S. AND LOCKNUT M8 S.S.



INSTALLATION INSTRUCTIONS  
BENCH GRETA WITH BACKREST

CLIENT

SCALE

MAT. FIN.

**HELIOS**

TYPE

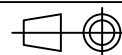
CODE

PAGE

N° O.C.

DATE

SIGN



ALESSANDRO GIROLAMETTO

3/5

1

2

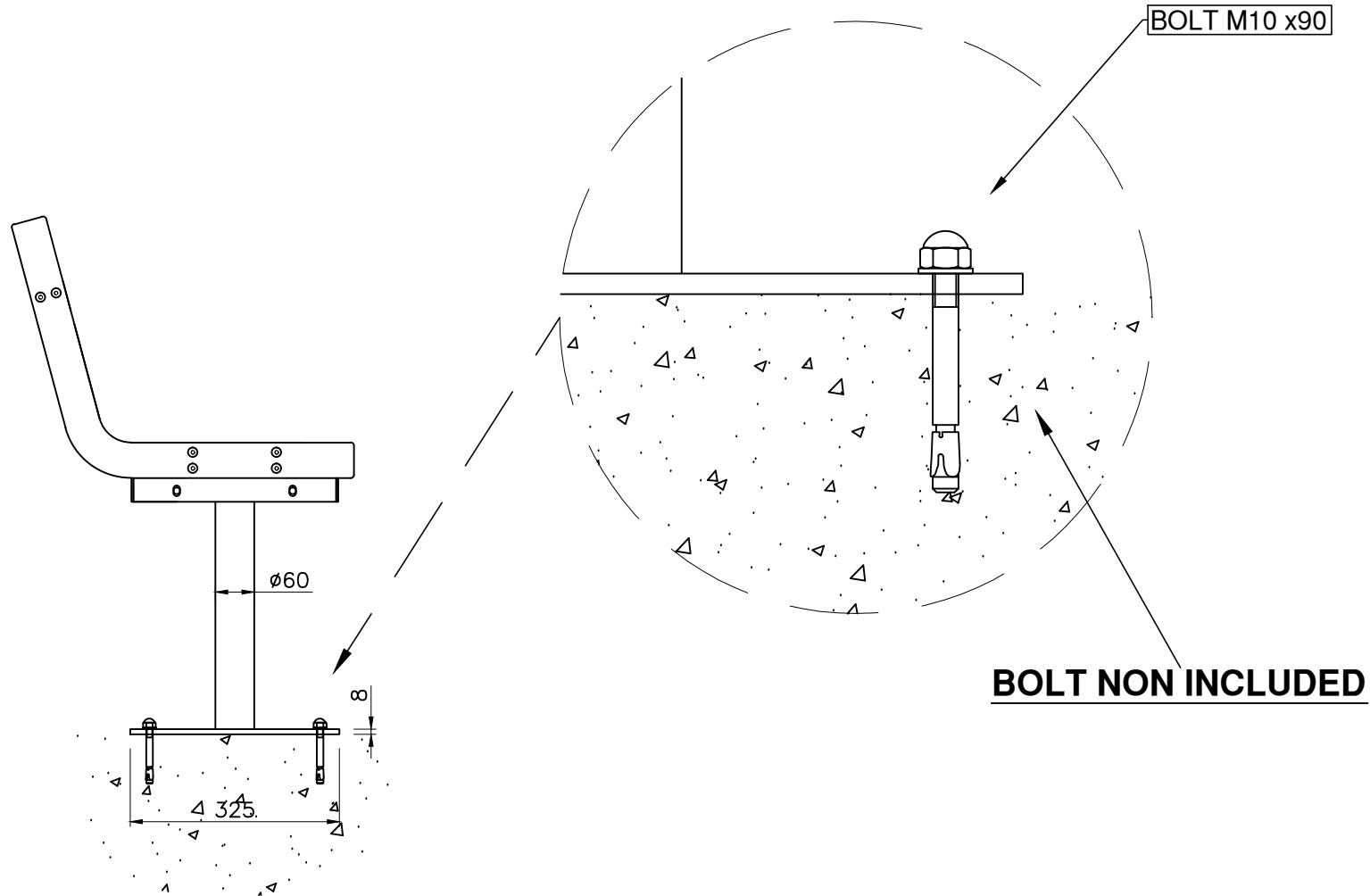
3

THIS DRAWING CANT BE USED OR REPRODUCED WITHOUT OUR AUTHORISATION

(S) SPECIFIC MEASURE (I) IMPORTANT MEASURE

2 - FOR THE FIXING TO THE GROUND USE BOLTS M10 x90 - **BOLTS NOT PROVIDED** - THE LENGTH OF THE BOLT MAY VARY DEPENDING ON THE TYPE OF THE SURFACE.

FOR AN AESTHETICS REASON YOU CAN REPLACE THE NUT OF THE BOLT WITH A BLIND NUT.



INSTALLATION INSTRUCTIONS BENCH GRETA WITH BACKREST	CLIENT	SCALE	MAT. FIN.	<h1 style="text-align: center;">HELIOS</h1>	TYPE	CODE
PAGE	N° O.C.	DATE	SIGN		1	
4/5			<small>ALESSANDRO GIROLAMETTO</small> 		2	
THIS DRAWING CANT BE USED OR REPRODUCED WITHOUT OUR AUTHORISATION					3	
					(S) SPECIFIC MEASURE (I) IMPORTAN MEASURE	

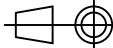
# SCREWS LIST

## BENCH GRETA WITH BACKREST:

N° 8 SCREWS TBEI M8 x25 S.S.

N° 8 WASHERS M8 S.S

N° 8 LOCKNUT M8 S.S.

INSTALLATION INSTRUCTIONS BENCH GRETA WITH BACKREST	CLIENT _____	SCALE	MAT. FIN.		<b>HELIOS</b>		TYPE	CODE
PAGE 5/5	N° O.C. _____	DATE	SIGN ALESSANDRO GIROLAMETTO			1		
						2		
						3		
THIS DRAWING CAN'T BE USED OR REPRODUCED WITHOUT OUR AUTHORISATION						(S)	SPECIFIC MEASURE	(I) IMPORTANT MEASURE